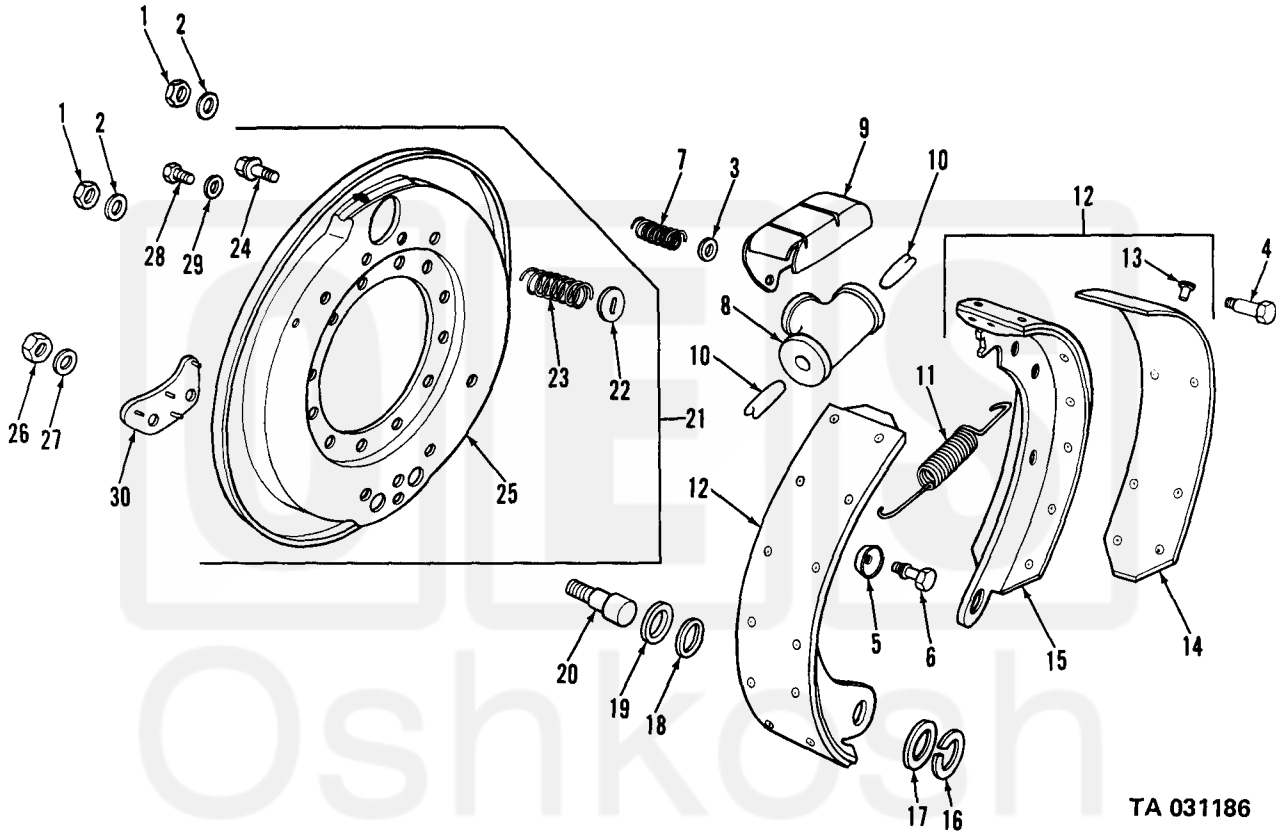


| (1)                 | (2)  | (3)   | (4)              | (5)         | (6)         | (7)   | (8)   |
|---------------------|------|-------|------------------|-------------|-------------|---|-------|
| ILLUS.              |      |       |                  |             |             |   | QTY   |
| (a)                 | (b)  | SMR   | NATIONAL         | PART        | DESCRIPTION | U/M   | INC   |
| FIG.                | ITEM | CODE  | STOCK            | NUMBER      | FSCM        |   | IN    |
| NO.                 | NO.  |       | NUMBER           |             |             |   | UNIT  |
| 1202-SERVICE BRAKES |      |       |                  |             |             |   |       |
| 89                  | 1    | KFOZZ |                  | MS51968-5   | 96906       | NUT: PIN TO BACKING PLATE<br>(PART OF KIT,P/N 8332057)        | EA 24 |
| 89                  | 2    | KFOZZ |                  | MS35338-45  | 96906       | WASHER,LOCK: PIN TO BACKING<br>PLATE(PART OF KIT,P/N 8332057) | EA 24 |
| 89                  | 3    | KFOZZ |                  | 8331244     | 19207       | WASHER: UPPER(PART OF KIT,<br>P/N 8332057)                    | EA 12 |
| 89                  | 4    | KFOZZ |                  | 8331242     | 19207       | PIN: LONG(PART OF KIT,<br>P/N 8332057)                        | EA 12 |
| 89                  | 5    | KFOZZ |                  | 8331245     | 19207       | WASHER: LOWER(PART OF KIT,<br>P/N 8332057)                    | EA 12 |
| 89                  | 6    | KFOZZ |                  | 8331243     | 19207       | PIN: SHORT(PART OF KIT,<br>P/N 8332057)                       | EA 12 |
| 89                  | 7    | PAOZZ | 5360-00-813-7813 | 10896716    | 19207       | SPRING,HELICAL,COMPRESSION:<br>BRAKESHOE                      | EA 12 |
| 89                  | 8    | PAOZZ | 2530-00-274-4511 | 7411010     | 19207       | CYLINDER ASSEMBLY,HYDRAULIC BRAKE,<br>WHEEL(SEE FIG.90)       | EA 6  |
| 89                  | 9    | XBOZZ |                  | 7372762     | 19207       | SHIELD  | EA 4  |
| 89                  | 10   | PAOZZ | 2530-00-753-9270 | 7539270     | 19207       | ROD,WHEEL CYLINDER  | EA 8  |
| 89                  | 11   | PAOZZ | 5360-00-741-1017 | 10896707    | 19207       | SPRING,HELICAL,EXTENSION:<br>SHOE RETRACTING                  | EA 6  |
| 89                  | 12   | PAOFF | 2530-00-752-1767 | 7521767     | 19207       | SHOE BRAKE,INTERNALLY<br>ACTUATED: W/LINING                   | EA 12 |
| 89                  | 13   | PAFZZ | 5320-00-058-9883 | MS16536-172 | 96906       | RIVET,TUBULAR: BRAKE LINING                                   | EA 14 |
| 89                  | 14   | PAFZZ | 2530-00-391-1209 | 8410185     | 19207       | LINING,FRICITION: BRAKE SHOE                                  | EA 1  |
| 89                  | 15   | XAFZZ |                  | 8757663     | 19207       | SHOE ASSEMBLY   | EA 1  |
| 89                  | 16   | XBOZZ |                  | 10896682    | 19207       | RETAINER,SLOTTED: SHOE<br>ANCHOR PIN                          | EA 12 |
| 89                  | 17   | PAOZZ | 5310-00-252-2130 | 10896709    | 19207       | WASHER,FLAT: SHOE ANCHOR PIN                                  | EA 12 |
| 89                  | 18   | PAOZZ | 5330-00-168-5673 | 10896683    | 19207       | WASHER,RECESSED: SHOE ANCHOR<br>PIN FELT WASHER               | EA 12 |
| 89                  | 19   | XBOZZ |                  | 10896712    | 19207       | FELT WASHER   | EA 12 |
| 89                  | 20   | PAOZZ | 5315-00-451-1047 | 10896681    | 19207       | PIN,ANCHOR: SHOE  | EA 12 |
| 89                  | 21   | PAOZZ | 2530-00-752-1766 | 7521766     | 19207       | DEFLECTOR ASSEMBLY  | EA 6  |
| 89                  | 22   | PAOZZ | 2530-00-512-4974 | 5124974     | 19207       | CAM,BRAKESHOE: ADJUSTING                                      | EA 12 |
| 89                  | 23   | PAOZZ | 5360-00-292-3004 | 5160339     | 19207       | SPRING,HELICAL,COMPRESSION:<br>BRAKESHOE ADJUSTING CAM        | EA 12 |
| 89                  | 24   | PAOZZ | 2530-00-026-0187 | 7521733     | 19207       | STUD,WITH WASHER:<br>ADJUSTING CAM                            | EA 12 |

IMS-7320-209-34P

| (1)                         | (2)      | (3)   | (4)              | (5)        | (6)         | (7)   | (8)   |
|-----------------------------|----------|-------|------------------|------------|-------------|---|-------|
| ILLUS.                      |          |       |                  |            |             |   | QTY   |
| (a)                         | (b)      | SMR   | NATIONAL         | PART       | DESCRIPTION | U/M   | INC   |
| FIG. NO.                    | ITEM NO. | CODE  | STOCK NUMBER     | NUMBER     | FSCM        |   | IN    |
|                             |          |       |                  |            |             |   | UNIT  |
| 1202-SERVICE BRAKES(CONT'D) |          |       |                  |            |             |   |       |
| 89                          | 25       | XBOZZ |                  | 7699794    | 19207       | SHIELD ASSEMBLY, BRAKE:<br>DUST BRAKE         | EA 6  |
| 89                          | 26       | PAOZZ | 5310-00-763-8901 | MS51968-23 | 96906       | NUT, PLAIN, HEXAGON                           | EA 12 |
| 89                          | 27       | PAOZZ | 5310-00-584-7888 | MS35338-51 | 96906       | WASHER, LOCK: ANCHOR PIN:                     | EA 12 |
| 89                          | 28       | PAOZZ | 5305-00-269-3210 | MS90725-59 | 96906       | SCREW, CAP, HEXAGON HEAD                      | EA 12 |
| 89                          | 29       | PAOZZ | 5310-00-637-9541 | MS35338-46 | 96906       | WASHER, LOCK                                  | EA 12 |
| 89                          | 30       | XAOZZ |                  | 7699793    | 19207       | ANCHOR  | EA 6  |
| 89                          |          | PAOZZ | 2530-00-319-6001 | 8332057    | 19207       | PARTS KIT, BRAKESHOE:<br>BRAKE SHOE GUIDE PIN | EA 6  |
| 89                          | 1        |       |                  |            |             | NUT   | EA 4  |
| 89                          | 2        |       |                  |            |             | WASHER  | EA 4  |
| 89                          | 3        |       |                  |            |             | WASHER  | EA 2  |
| 89                          | 4        |       |                  |            |             | PIN   | EA 2  |
| 89                          | 5        |       |                  |            |             | WASHER  | EA 2  |
| 89                          | 6        |       |                  |            |             | PIN   | EA 2  |





TA 031186

Figure 89. Service brake assembly.